


MODEL: CSS-J4D20-SMT | **DESCRIPTION:** MAGNETIC BUZZER TRANSDUCER

FEATURES

- surface mount
- side sound port
- externally driven



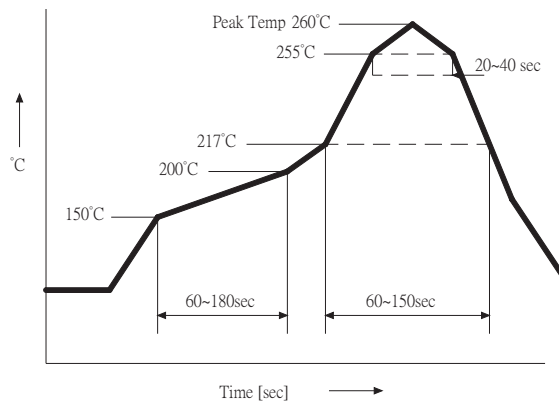
SPECIFICATIONS

parameter	conditions/description	min	typ	max	units	
rated voltage			3.6		Vo-p	
operating voltage		3		5	Vo-p	
current consumption	at rated voltage, 3,100 Hz square wave, 1/2 duty			80	mA	
rated frequency			3,100		Hz	
sound pressure level	at 5 cm (A-weight), rated voltage, 3,100 Hz square wave, 1/2 duty			90	97	dBa
coil resistance		17	20	23	Ω	
dimensions	8.5 x 8.5 x 3.2				mm	
weight			0.7		g	
material	L.C.P. (white)					
terminal	SMT type (Au plating)					
operating temperature		-40		70	°C	
storage temperature		-40		85	°C	
RoHS	yes					

Note: Add suffix "-TR" to the model for tape & reel packaging

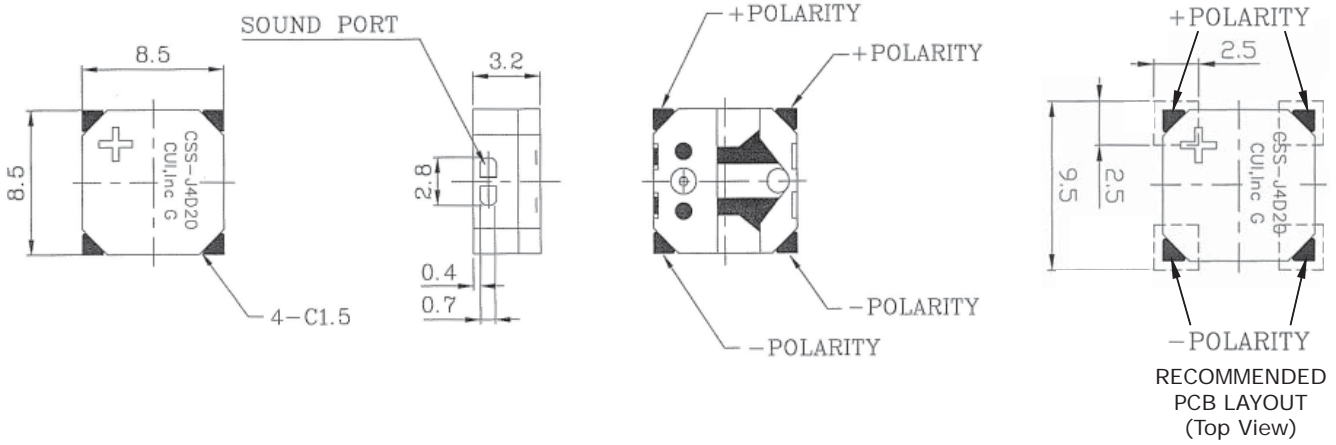
SOLDERABILITY

parameter	conditions/description	min	typ	max	units
reflow soldering	see reflow solder profile			260	°C

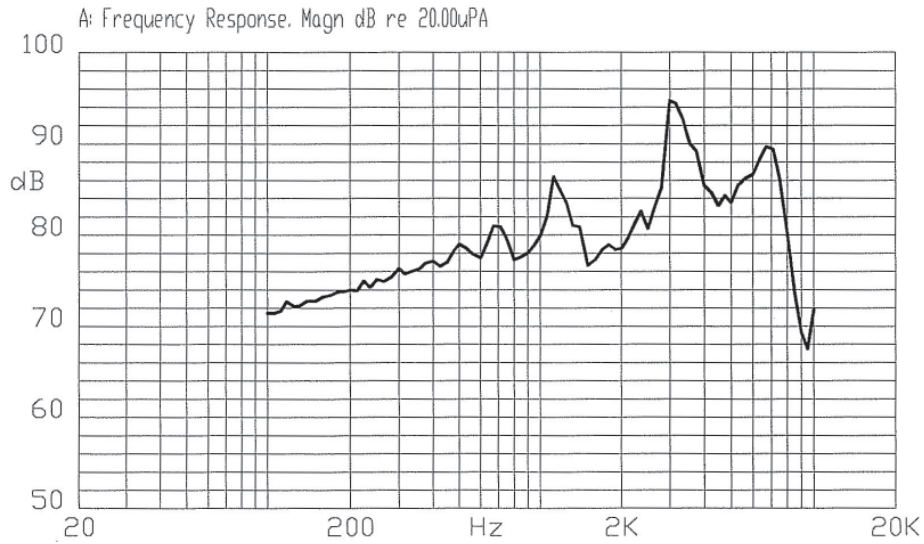


MECHANICAL DRAWING

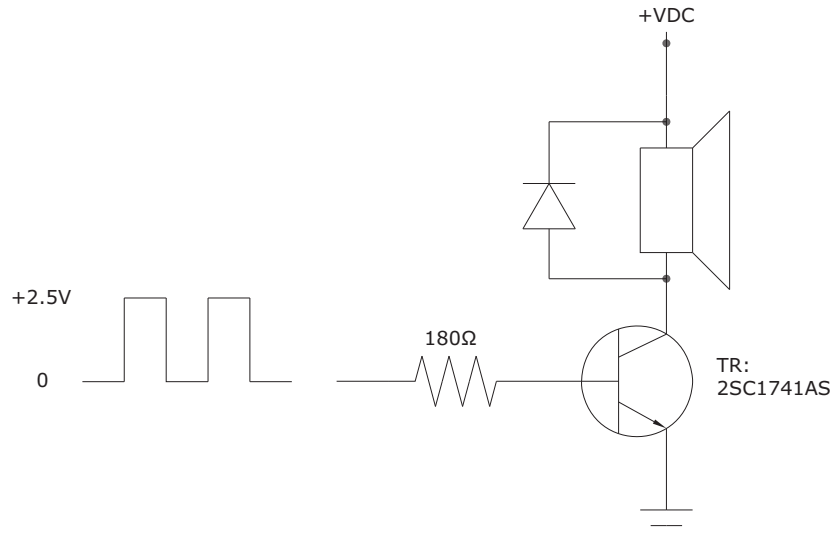
units: mm
tolerance: ± 0.5 mm



FREQUENCY RESPONSE CURVE



MEASUREMENT METHOD



REVISION HISTORY

rev.	description	date
1.0	initial release	09/20/2006
1.01	applied new spec template	11/03/2008
1.02	updated part number, added TR package option, applied new spec template	05/06/2013

The revision history provided is for informational purposes only and is believed to be accurate.



CUI INC[®]

Headquarters
20050 SW 112th Ave.
Tualatin, OR 97062
800.275.4899

Fax 503.612.2383
cui.com
techsupport@cui.com

CUI offers a one (1) year limited warranty. Complete warranty information is listed on our website.

CUI reserves the right to make changes to the product at any time without notice. Information provided by CUI is believed to be accurate and reliable. However, no responsibility is assumed by CUI for its use, nor for any infringements of patents or other rights of third parties which may result from its use.

CUI products are not authorized or warranted for use as critical components in equipment that requires an extremely high level of reliability. A critical component is any component of a life support device or system whose failure to perform can be reasonably expected to cause the failure of the life support device or system, or to affect its safety or effectiveness.